



P&Z ELECTRONICS CO.,LTD

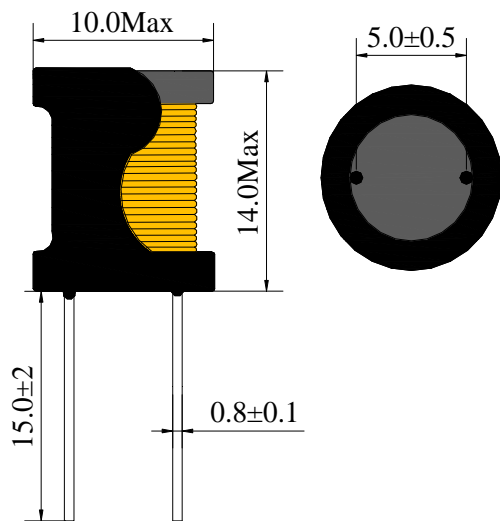
DR0912 Lead inductor/Drum core inductor

Web:<http://www.dgpinzhan.com>

E-mail:sale@dgpinzhan.com

| | | | | | |
|-----------------|----------|------------|------|---------|------|
| Part Code | Date | Production | Type | Version | Page |
| PZ-DL0912V-223M | 2018/9/5 | Tom | DIP | A001 | 1 |

1.Dimensions: [mm]



4.General Properties:

It is recommended that the temperature of the component does not exceed +125°C under worst case conditions.

| | |
|----------------------|---------------------|
| Storage Temperature: | -20 °C up to +60 °C |
|----------------------|---------------------|

| | |
|------------------------|----------------------|
| Operating Temperature: | -40 °C up to +125 °C |
|------------------------|----------------------|

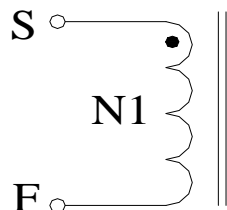
Temperature Rise < 55K.

Test conditions of Electrical Properties: +20°C, 33% RH if not specified differently.

5.Electrical Properties:

| Properties | Test conditions | Value | Unit | Tolerance |
|---------------|-----------------|-------|------|-----------|
| Inductance | 10KHZ/0.25V | 22 | mH | ±15% |
| Rated Current | @ 70 °C | 0.11 | A | Max |
| DC Resistance | @20 °C 50HZ | 60 | Ω | Max |
| | | | | |
| | | | | |

2.Schematic:



● WINDING.STRA

3.PCB Layout Ref(mm)

